



**Cooking Range Line thermaline 90  
Water mixing tap with lever, 1 Side  
- H=250 - Marine USPHS only M2M**

ITEM # \_\_\_\_\_

MODEL # \_\_\_\_\_

NAME # \_\_\_\_\_

SIS # \_\_\_\_\_

AIA # \_\_\_\_\_



589938 (HCEABBBOOM)

Water mixing tap with lever,  
one-side operated with  
splashback - Marine USPHS  
(only M2M)

### Short Form Specification

Item No. \_\_\_\_\_

Water mixing tap with lever for hot and cold water. Unit constructed according to DIN 18860\_2 with 20 mm drop nose top and 120 mm recessed plinth. Internal frame for heavy duty sturdiness in stainless steel. 3mm top with 3 mm reinforcement in 1.4301 (AISI 304). IPX6 water resistant certification. Configuration: one side operated. Can be installed on any base, also from other supplier. Bases must be designed according to the TL90 and TL85 construction guidelines.

### Main Features

- Water mixing unit for hot and cold water.
- All major components may be easily accessed from the front.
- Large stainless steel tap.

### Construction

- Internal frame for heavy duty sturdiness in stainless steel.
- 3mm top with 3 mm reinforcement in 1.4301 (AISI 304).

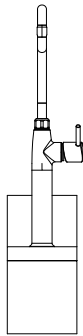
### Optional Accessories

- Portioning shelf 1000x65mm - PNC 913713   
Marine USPHS (only M2M)

APPROVAL: \_\_\_\_\_



Front

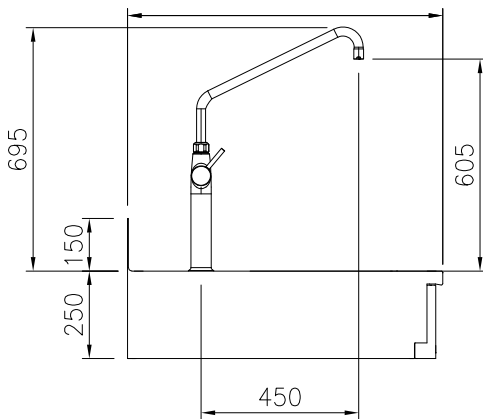

**Water:**

Inlet water line size:	3/4"
Incoming Cold/hot Water line size:	3/4"

**Key Information:**

External dimensions, Width:	200 mm
External dimensions, Depth:	900 mm
External dimensions, Height:	250 mm
Net weight:	25 kg

Side



CWII = Cold Water inlet 1 (cleaning)  
 HWI = Hot water inlet

Top

